

CYT8011TG linear constant current LED chip



General Description

CYT8011TG is a compatible SCR dimming linear constant current IC with adjustable output current, high constant-current accuracy, simple application scheme, and it does not need too many components. The on-board IC driver is easy to assemble, reduces the material cost and improves the production efficiency. It has over-temperature protection function, safer and more reliable.

Electric Characteristics

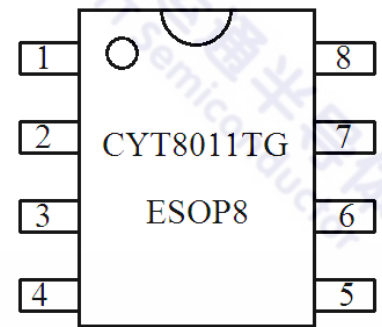
Unless otherwise stated, $T_A=25^{\circ}\text{C}$.

Parameters	Symbol	Conditions	Min.	Typ.	Max.	Unit
BL、OUT Input voltage	V_{BL}, V_{OUT}	$I_{OUT}=30\text{mA}$	6.5	-	-	V
BL、OUT Port withstand voltage	V_{BL_MAX}, V_{OUT_MAX}	$I_{OUT}=0\text{A}$	500	-	-	V
Output current	I_{OUT}	-	5	-	60	mA
Quiescent current	I_Q	$V_{BL}=V_{OUT}=10\text{V}$ CS、DN floating	-	0.16	0.25	mA
CS、DN Port voltage	V_{CS}, V_{DN}	$V_{BL}=V_{OUT}=10\text{V}$	-	0.6	-	V
I_{OUT} Output current accuracy	I_{OUT_ACC}	$I_{OUT}=5\text{mA}\sim 60\text{mA}$	-	± 3	-	%
Temperature compensation point	T_{SC}	-	-	120	-	$^{\circ}\text{C}$

Absolute Maximum Ratings

Parameters	Symbol	Range
BLEED、OUT Port voltage	V_{BL}, V_{OUT}	$-0.5\text{V}\sim 500\text{V}$
BLEED、OUT Port current	I_{BL}, I_{OUT}	$5\text{mA}\sim 60\text{mA}$
Operating temperature	T_A	$-40^{\circ}\text{C}\sim 140^{\circ}\text{C}$
Storage temperature	T_{STG}	$-50^{\circ}\text{C}\sim 150^{\circ}\text{C}$
ESD	V_{ESD}	2kV

Pin Diagram(top view)



Typical Application

