



CD5030 PWM Controller

General Description

CD5030 is a high-voltage pulse width modulation (PWM) push-pull control chip, which can realize most of the push-pull topology power output conversion. Based on current mode control and simplified the design of loop compensation.

The CD5030 includes a high-voltage start-up regulator that operates over a wide input range of up to 100V. The PWM chip is specially designed for high-speed oscillators, with a frequency range of up to 1MHz and a total propagation delay of less than 100ns. Additional features include: error amplifier, precision reference, cycle-by-cycle over-current protection, slope compensation, soft-start, oscillator synchronization capability, and thermal shutdown.

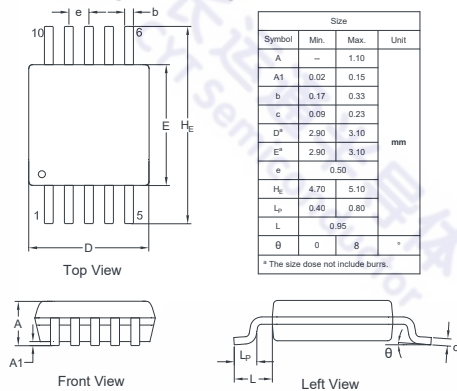
Absolute Maximum Ratings

VIN to GND	-0.3V to 100V
VCC to GND	-0.3V to 16V
RT to GND	-0.3V to 5.5V
All other pins to GND	-0.3V to 7V
Junction temperature	150°C
Storage temperature	-65°C to 150°C

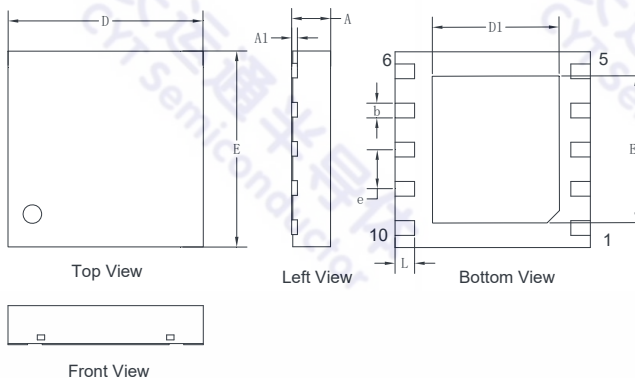
Recommended Operating Conditions

VIN voltage	14V to 90V
VCC voltage	8V to 15V
Operating junction temperature (T _J)	-40°C to 125°C

Package Diagram



VSSOP10



WSOP10

Typical Application

