



# CD5041 PWM Controller

## General Description

The CD5041 PWM controller contains all of the features necessary to implement either current-fed or voltage-fed push-pull or bridge power converters. These “Cascaded” topologies are well suited for multiple output and higher power applications.

The CD5041’s four control outputs include: the buck stage controls (HD and LD) and the push-pull control outputs (PUSH and PULL). Push-pull outputs are driven at 50% nominal duty cycle at one half of the switching frequency of the buck stage and can be configured for either an overlap time (for current-fed applications) or a both-off time (for voltage-fed applications).

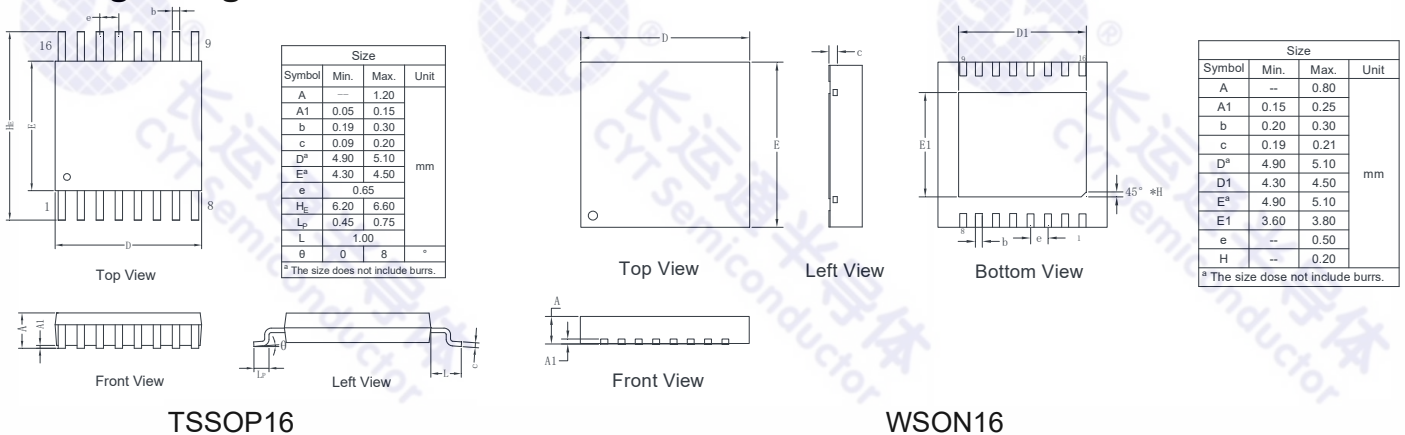
## Absolute Maximum Ratings

VIN to GND	-0.3V to 100V
VCC to GND	-0.3V to 16V
All other pins to GND	-0.3V to 7V
Junction temperature	150°C
Storage temperature	-65°C to 150°C

## Recommended Operating Conditions

VIN voltage	15V to 90V
VCC voltage	9V to 15V
Operating junction temperature(Tj)	-40°C to 125°C

## Package Diagram



## Typical Application

