

# PWM Controller



## Description

The CD5035 PWM controller is a Feedforward voltage mode control PWM controller with supply voltages up to 105. Both the high-side and low-side gate drivers are capable of 2A peak. The CD5035 includes a high-voltage start-up regulator, additional features include line undervoltage lockout (UVLO), overvoltage protection (OVP), dual mode overcurrent protection and external clock synchronization function. The oscillator is programmed with a single resistor to frequencies up to 1MHz.

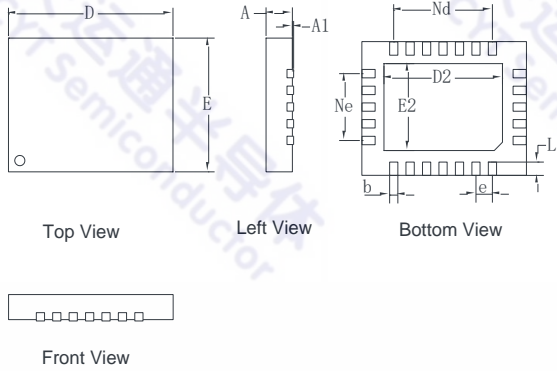
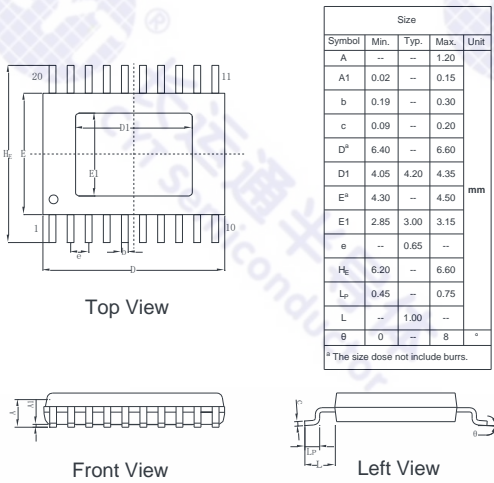
## Absolute Maximum Ratings

VIN to GND.....	-0.3V to 105V	CS1,RT,DLY to GND.....	-0.3V to 5.5V
VCC to GND.....	-0.3V to 10V	COMP pin Input Current.....	10mA
HS to GND.....	-1V to 105V	All other inputs to GND.....	-0.3V to 7V
HB to GND.....	-0.3V to 118V	Junction Temperature.....	150°C
HB to HS.....	-0.3V to 18V	Storage Temperature Range.....	-65°C to 150°C

## Recommended Operating Conditions

VIN Voltage.....	13V to 100V	Operating Junction Temperature (Tj).....	-40°C to 125°C
VCC Voltage.....	8V to 10V		

## Package Diagram



TSSOP20

WQFN24

## Typical Application Circuit

